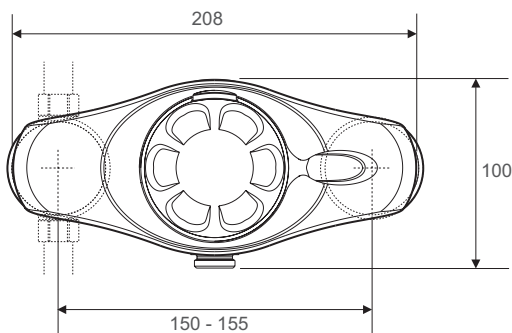
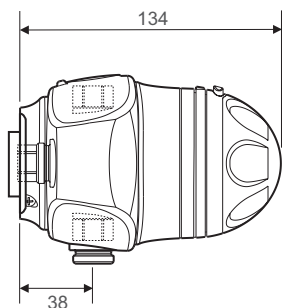


MIRA EXCEL EXPOSED THERMOSTATIC MIXING VALVE

- Thermostatic ½” shower control with adjustable and over-rideable maximum temperature stop (may be disabled)
- Automatic shutdown to seepage should the hot or cold water supply fail
- Independent spray force and temperature selection controls
- High performance through 15 mm pipework supplies
- Ceramic plate flow control mechanism to resist scale formation
- Can be used on the following plumbing systems: Gravity, Fully Modulating Instantaneous Gas Heated, Mains Pressurised (heated from a thermal store), Unvented Mains Pressure and Pumped Gravity
- Suitable for light commercial use only e.g. Hotels, B & Bs



Dimensions (mm)



Specify as: Mira Excel - ev Chrome (1.1518.300), Satin/Chrome (1.1518.301), White/Gold (1.1518.302)

½” surface mounted shower control for connection to exposed pipework. Supplied complete with Mira Logic Adjustable Spray handset with four different spray actions (Start, Soothe, Force and Eco) and rubberised finger grips for ease of adjustment, metal clad hose, clamp bracket, wall mounted soap dish, slide bar and hose retaining ring/gel hook. Available in all chrome, satin/chrome or white/light golden finishes.

Specify as: Mira Excel Chrome (1.1518.309)

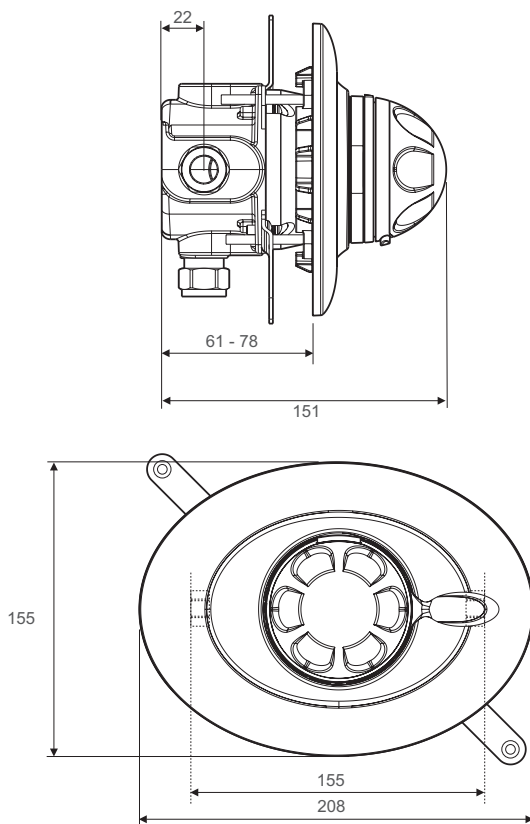
½” surface mounted shower control for connection to exposed pipework.

MIRA EXCEL BUILT-IN THERMOSTATIC MIXING VALVE

- Thermostatic ½" shower control with adjustable and over-rideable maximum temperature stop (may be disabled)
- Automatic shutdown to seepage should the hot or cold water supply fail
- Independent spray force and temperature selection controls
- High performance through 15 mm pipework supplies
- Ceramic plate flow control mechanism to resist scale formation
- Can be used on the following plumbing systems: Gravity, Fully Modulating Instantaneous Gas Heated, Mains Pressurised (heated from a thermal store), Unvented Mains Pressure and Pumped Gravity
- Suitable for light commercial use only e.g. Hotels, B & Bs



Dimensions (mm)



Specify as: Mira Excel B - biv Chrome (1.1518.303), White (1.1518.304), Satin/Chrome (1.1518.305), White/Gold (1.1518.306)

½" built-in shower control for connection to concealed pipework. Supplied complete with Mira Logic Adjustable Spray handset with four different spray actions (Start, Soothe, Force and Eco) and rubberised finger grips for ease of adjustment, metal clad hose, clamp bracket, wall mounted soap dish, slide bar, right-angle connector and hose retaining ring/gel hook. Available in all chrome, white, satin/chrome or white/light golden finishes.

Specify as: Mira Excel B - bir Chrome (1.1518.307), White (1.1518.308)

½" built-in shower control for connection to concealed pipework. Supplied complete with Mira Logic built-in showerhead offering four different spray actions (Start, Soothe, Force and Eco) and rubberised finger grips for ease of adjustment and a wall mounted soap dish. Available in all chrome or white finishes.

Specify as: Mira Excel B Chrome (1.1518.311)

½" built-in shower control for connection to concealed pipework.

Kohler Mira Limited
Cromwell Road
Cheltenham
Gloucestershire
GL52 5EP

Specification Enquiries

Tel: 01242 282527
Fax: 01242 282404
Email: rada_technical@mirashowers.com
www.mirashowers.com

mira
SHOWERS

TECHNICAL SPECIFICATION

Installation and Maintenance

Please refer to the appropriate Product Manual.

Connections

Standard connections Hot - left, Cold - right, top outlet when facing control.

Inlets: 15 mm compression.

Outlet: 15 mm compression.

Mounting bracket for thin panel thicknesses between: 4 - 21 mm, or solid, dry lined or stud partition walls.

Alternative top or bottom outlet supported.

Approvals

WRAS approved (Water Regulations Advisory Scheme).
Designed, manufactured and supported in accordance with accredited BS EN ISO 9001:2000 Quality Management Systems and BS EN ISO 14001:2004 Environmental Management Systems

Operation

This fully thermostatic shower control mixes hot and cold water to the desired showering temperature and automatically compensates for variation in both the temperature and pressure of the inlet water supplies to maintain the blend temperature.

Materials

Body: Plated corrosion resistant brass.
Control knobs and trims: Plated engineering plastic.

Temperature Range

Temperature control range: 30°C - 50°C.
Maximum hot water temperature: 85°C (BS6700 recommends a maximum of 65°C).
Minimum temperature differential: 12°C (between blend and hot).
Automatic shutdown to seepage within 2 seconds if cold supply fails.

Pressures

Minimum maintained pressure: 0.1 bar
Maximum maintained pressure: 5.0 bar
Maximum static pressure: 10.0 bar
Maximum pressure loss ratio: 10:1

Performance

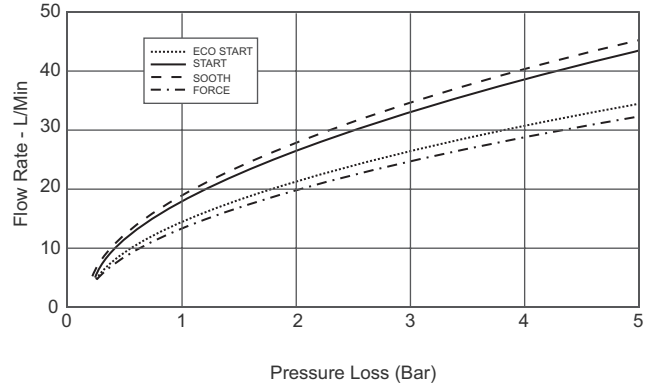
The specification performance outlined is achieved with inlet water supply temperatures of 15°C cold and 65°C hot, and nominally equal inlet supply pressures:
Close thermostatic temperature control achieved in the range 30°C to 50°C.
The blended water temperature is maintained within 1°C with a 10°C change in hot or cold supply.
Shutdown to seepage is effected only if the hot supply is a minimum

of 12°C above the blend temperature.

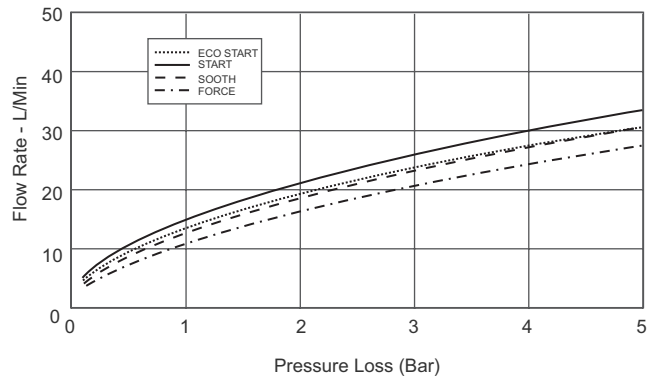
The blended water is maintained within ± 1°C, with a pressure loss ratio of 2:1 on either the hot or cold side.

Flow Diagram

EXCEL WITH LOGIC FITTINGS HIGH CAPACITY SPRAY PLATE



EXCEL WITH LOGIC FITTINGS LOW CAPACITY SPRAY PLATE



Kohler Mira Limited
Cromwell Road, Cheltenham
Gloucestershire, GL52 5EP

Specification Enquiries
Tel: 01242 282527, Fax: 01242 282404
Email: rada_technical@mirashowers.com
www.mirashowers.com

P5502

Mira is a registered trademark of Kohler Mira Limited.
The company reserves the right to alter product specification without notice.
© July 2006 Kohler Mira Limited. All rights reserved.
No part of this document, or any accompanying document, may be reproduced or transmitted in any form or by any means, including photocopying or electronically, without the permission of Kohler Mira Limited.

A **KOHLER** COMPANY



FM 14648



TECHNICAL SPECIFICATION

Installation and Maintenance

Please refer to the appropriate Product Manual.

Connections

Inlet connectors: accept top, bottom or back entry supplies.

Inlets: 15 mm compression, ½" BSP male.

Outlet: ½" BSP male.

Alternative top or bottom outlet supported.

Standard connections are **hot-left, cold-right, outlet-bottom** when facing the control

Approvals

WRAS approved (Water Regulations Advisory Scheme).

Designed, manufactured and supported in accordance with accredited BS EN ISO 9001:2000 Quality Management Systems and BS EN ISO 14001:2004 Environmental Management Systems

Operation

This fully thermostatic shower control mixes hot and cold water to the desired showering temperature and automatically compensates for variation in both the temperature and pressure of the inlet water supplies to maintain the blend temperature.

Materials

Body: Plated corrosion resistant brass.

Control knobs and trims: Plated engineering plastic.

Temperature Range

Temperature control range: 30°C - 50°C.

Maximum hot water temperature: 85°C (BS6700 recommends a maximum of 65°C).

Minimum temperature differential: 12°C (between blend and hot).

Automatic shutdown to seepage within 2 seconds if cold supply fails.

Pressures

Minimum maintained pressure: 0.1 bar

Maximum maintained pressure: 5.0 bar

Maximum static pressure: 10.0 bar

Maximum pressure loss ratio: 10:1

Performance

The specification performance outlined is achieved with inlet water supply temperatures of 15°C cold and 65°C hot, and nominally equal inlet supply pressures:

Close thermostatic temperature control achieved in the range 30°C to 50°C.

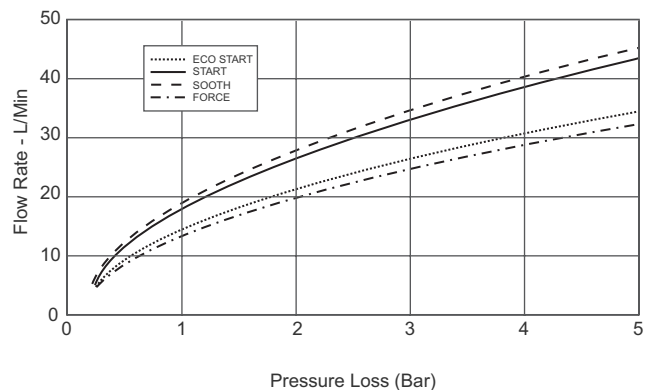
The blended water temperature is maintained within 1°C with a 10°C change in hot or cold supply.

Shutdown to seepage is effected only if the hot supply is a minimum of 12°C above the blend temperature.

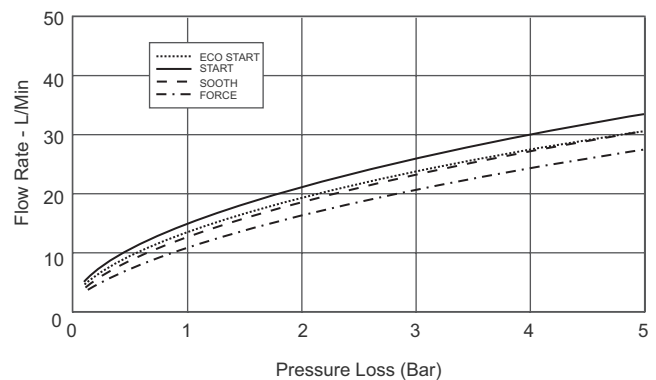
The blended water is maintained within $\pm 1^\circ\text{C}$, with a pressure loss ratio of 2:1 on either the hot or cold side.

Flow Diagram

EXCEL WITH LOGIC FITTINGS HIGH CAPACITY SPRAY PLATE



EXCEL WITH LOGIC FITTINGS LOW CAPACITY SPRAY PLATE



Kohler Mira Limited
Cromwell Road, Cheltenham
Gloucestershire, GL52 5EP

Specification Enquiries

Tel: 01242 282527, Fax: 01242 282404
Email: rada_technical@mirashowers.com
www.mirashowers.com

P5501

Mira is a registered trademark of Kohler Mira Limited.

The company reserves the right to alter product specification without notice.
© July 2006 Kohler Mira Limited. All rights reserved.

No part of this document, or any accompanying document, may be reproduced or transmitted in any form or by any means, including photocopying or electronically, without the permission of Kohler Mira Limited.

A **KOHLER** COMPANY



FM 14648

mira
SHOWERS