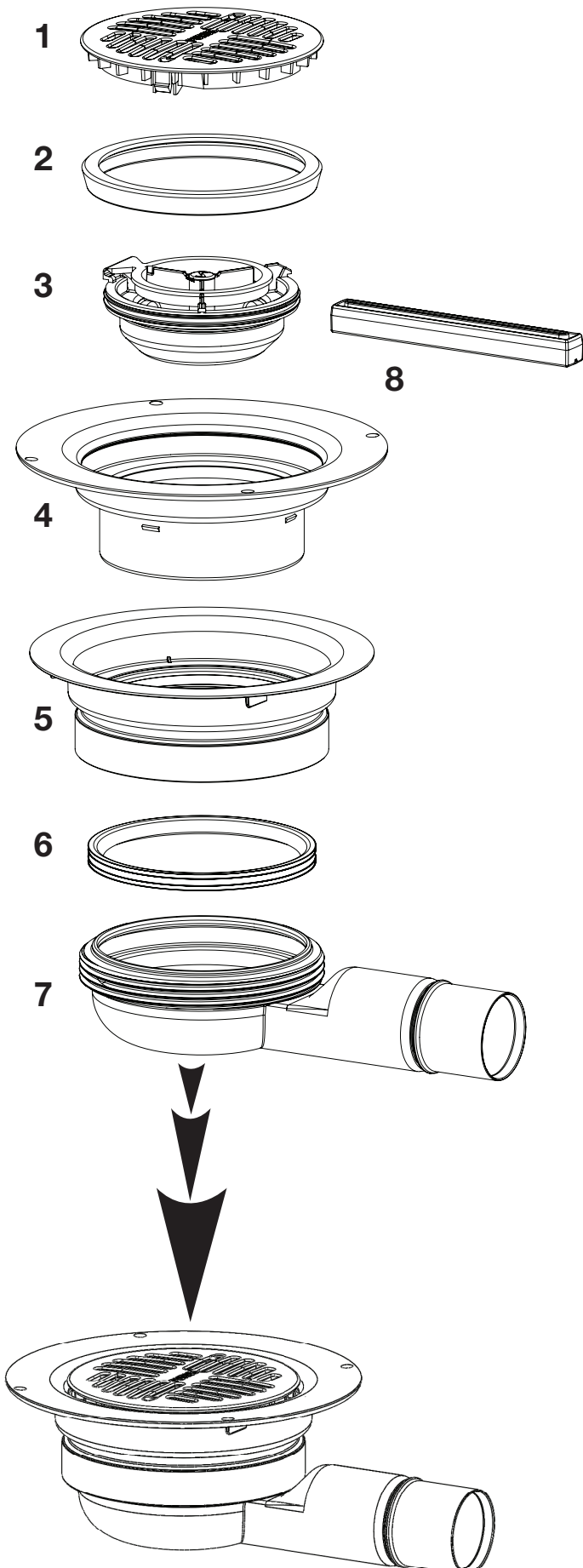


INSTALLATION INSTRUCTION

Minimax 50 Two Part Vinyl



Carefully read the installation instructions before assembling and installing.

- 1 Grate for vinyl
- 2 Clamping ring
- 3 Purus Nood trap
- 4 Top section
- 5 Middle section
- 6 Gasket
- 7 Outlet section with 1 1/2" ABS adapter for solvent weld
- 8 Installation tool

The Minimax two part vinyl is a specific wet room floor gully for wooden joists using floor former trays. The floor gully consists of three main sections: the top section (4), middle section (5) and the outlet (7).

Minimax two part vinyl is equipped with a clamping ring that connects the vinyl or waterproof membrane securely to the floor gully. The Purus nood trap is a combined water and mechanical trap which is always closed for foul odours, water build-up and pests.

Please Note.

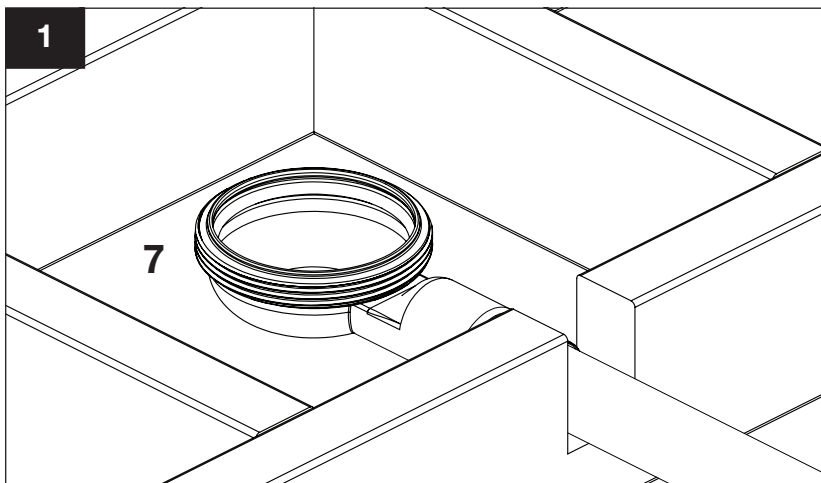
There are some accessories available for installing with ceramic tiles. Please ask your distributor for details.



Our ongoing product development may cause changes in the specifications. We reserve these rights.

PURUS

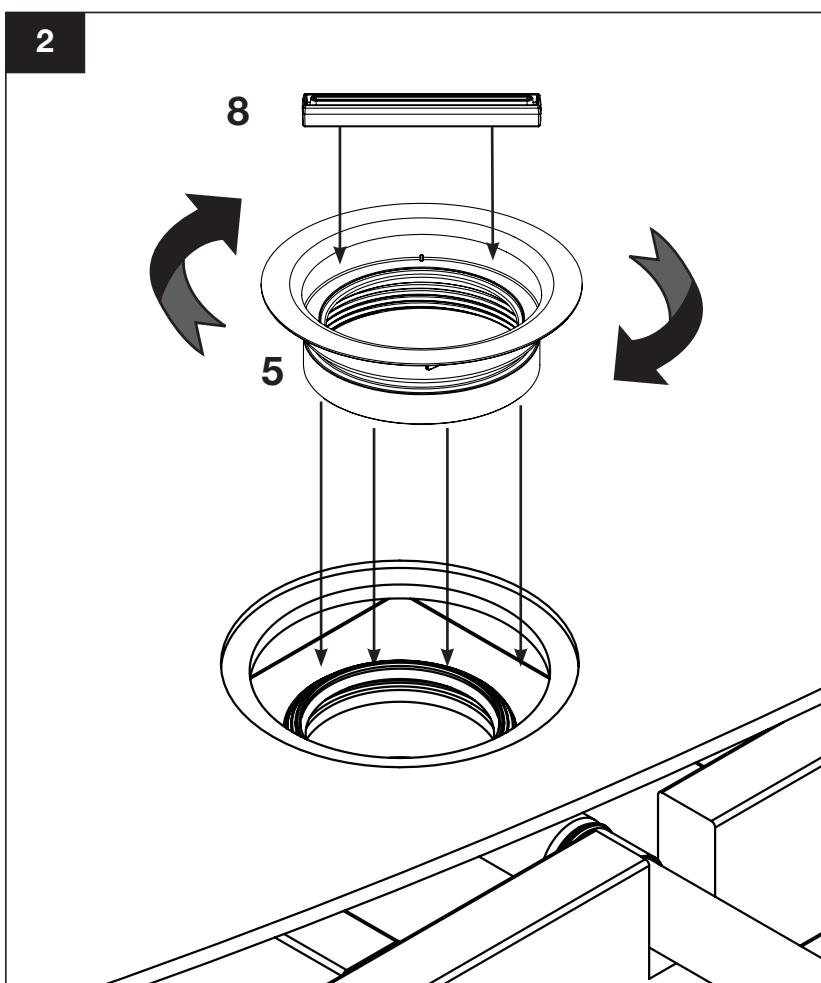
Installation:



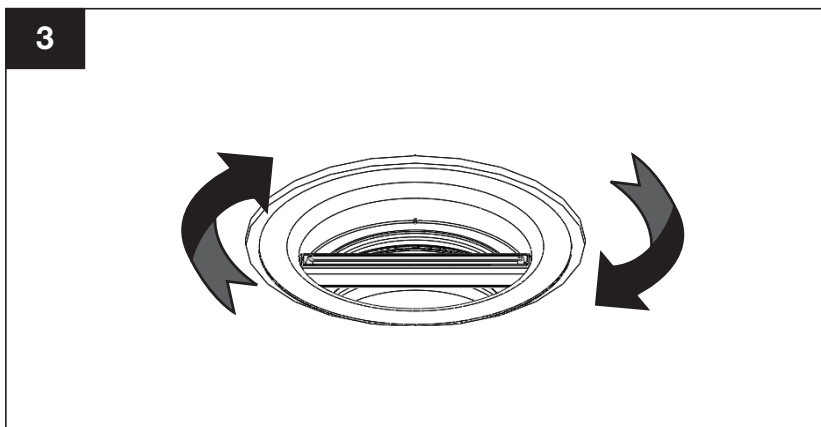
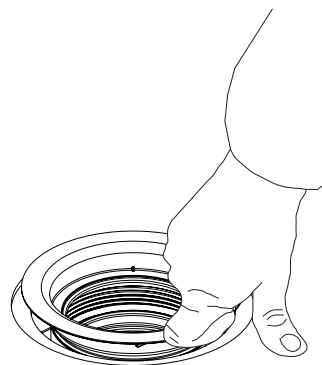
Connect the outlet section (7) securely to the waste pipe system to ensure no leaks.

Test for leaks before proceeding.

Support the outlet section (7) of the floor gully vertically before laying the floor former tray and floor boards.



Grab the outlet section (7) with one hand and start screwing on the middle section (5). Then continue using the installation tool.

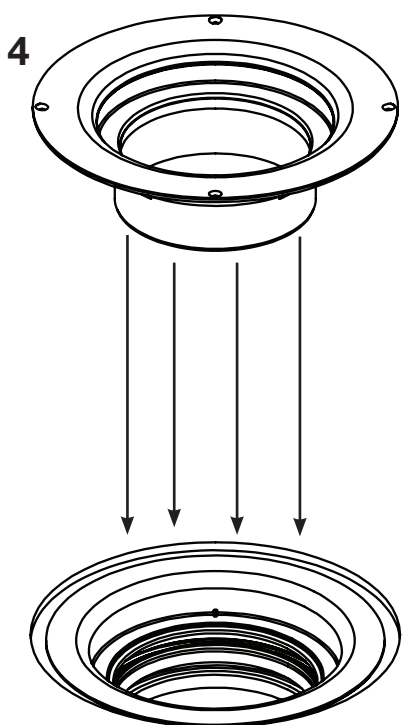


Screw down the middle section (5) firmly with the installation tool so that the middle (5) and the outlet sections (7) are fully fixed together.



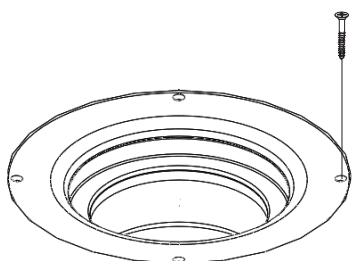
Remember to remove the installation tool (8) from the floor gully.

4



Push the top section (4) firmly inside the middle section (5) until they click together. The gasket (6) should not be visible when the top section (4) is installed correctly.

5

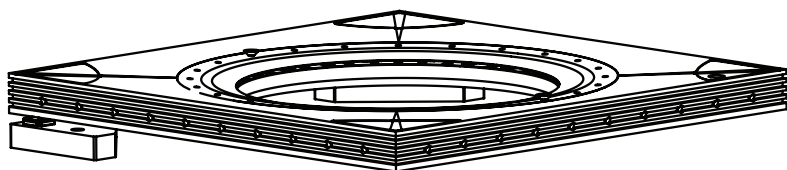


Screw the top part on to the former tray board with appropriately sized screws.



Test fully for leaks before using shower!

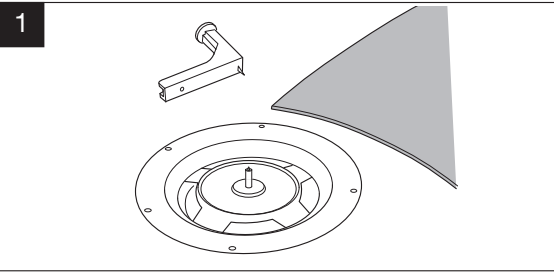
i



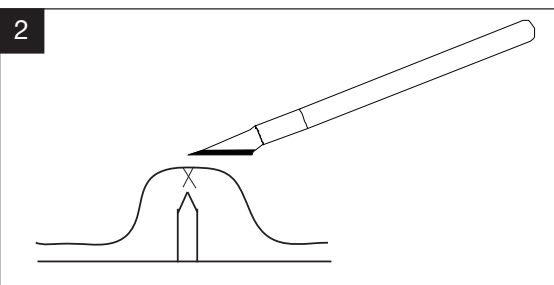
For installation in floor boards when not using a former tray use the Purus plate 130 Art.no 713 36 81 or Purus multiplate Art.no 713 36 90

Purus knife:

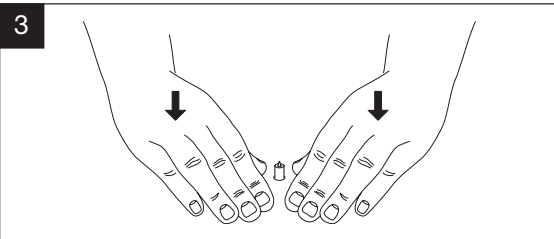
! Carefully read the installation instructions from the supplier of vinyl/pvc or waterproof membrane for tiles before commencing the installation.



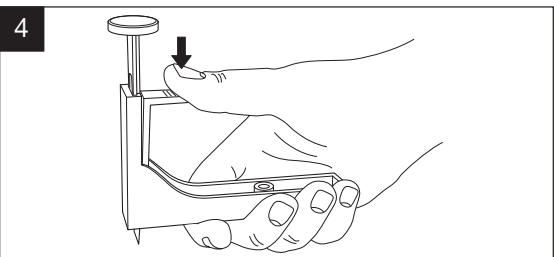
After having removed the clamping ring place the Purus knife bottom section in the clamping ring seat in the floor gully.



For vinyl/pvc cut a cross in the membrane so that the spike will appear.

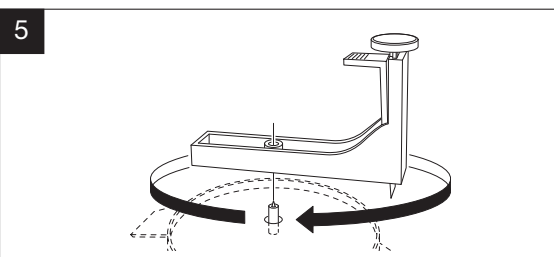


Press the vinyl/pvc or waterproof membrane for tiles down so that the spike on the bottom section cuts through.

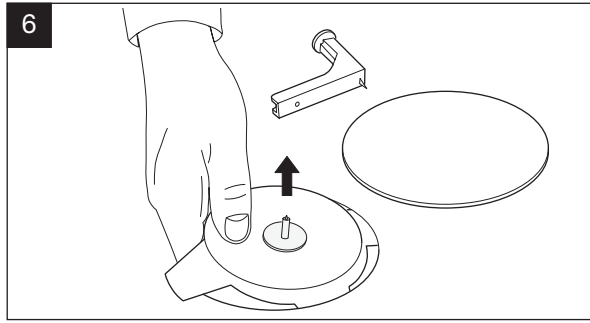


Apply slight pressure on the arm release knife holder so the blade locks in to position.

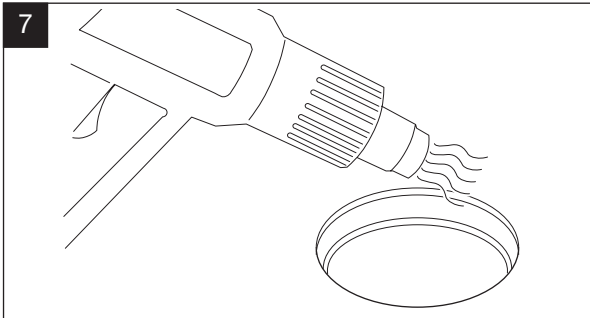
! The knife is extremely sharp take extra care.



Place the arm of the knife on the spike and spin the knife 360 degrees cutting.

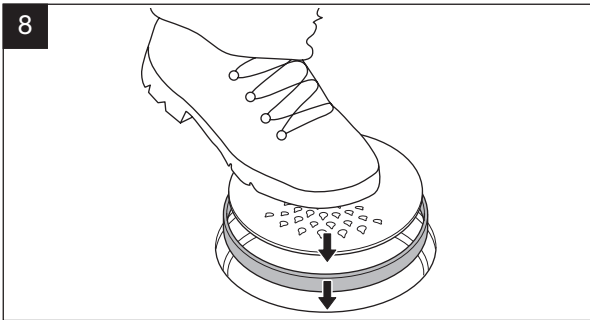


Take out the bottom section of the Purus knife from the gully.

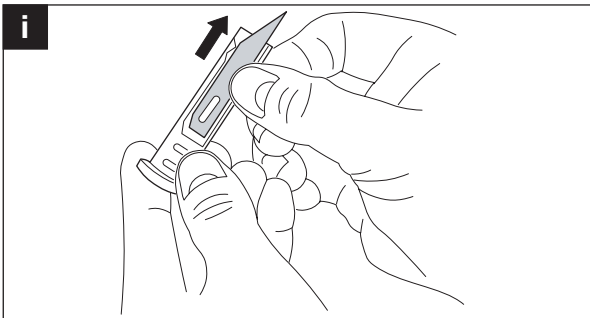


Heat the vinyl/pvc. DO NOT OVERHEAT!

NOTE! The waterproof membrane for tiles should not be heated!



Place the clamping ring with the text up and put the grating on top of it. Press them both firmly down in to the gully until they are fully fixed.



To change the blade, pull the holder all the way out of the body.

Spare blade: Stanly 5903 or Purus species, 52582.

! Test fully for leaks before using shower!

PURUS

www.purusgroup.com